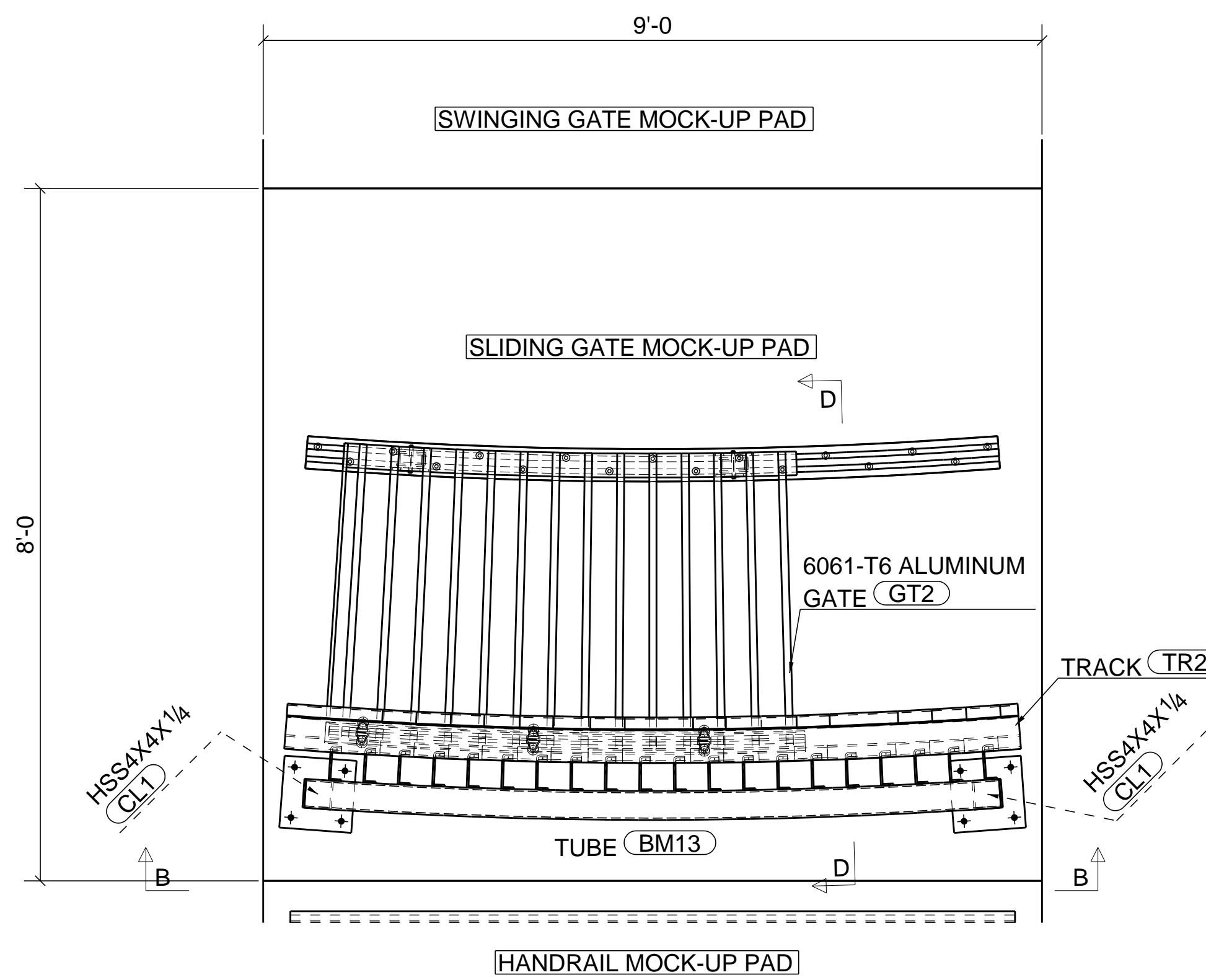
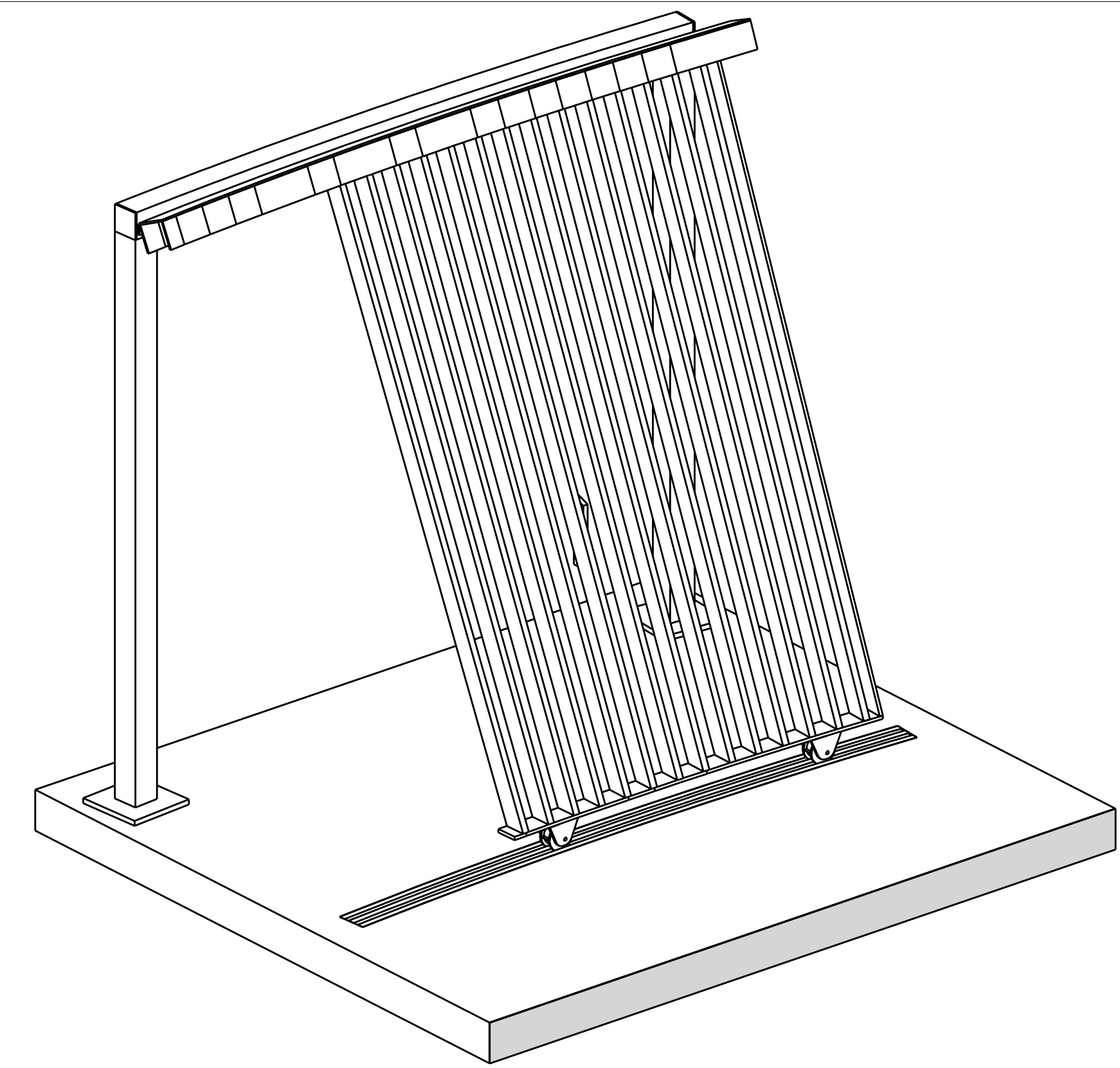


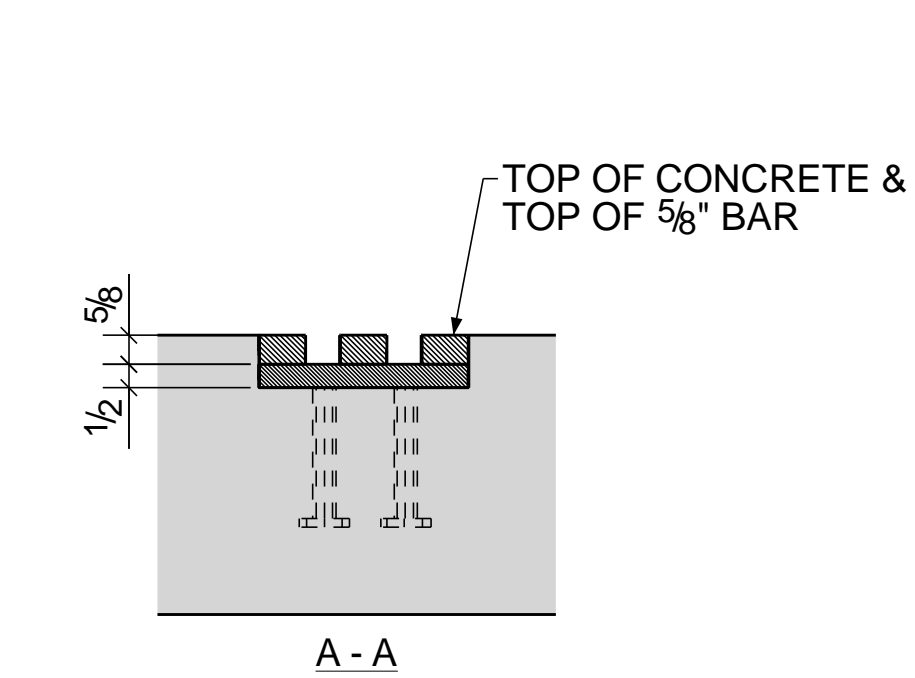
**SLIDING GATE - MOCK UP**  
FOUNDATION PLAN



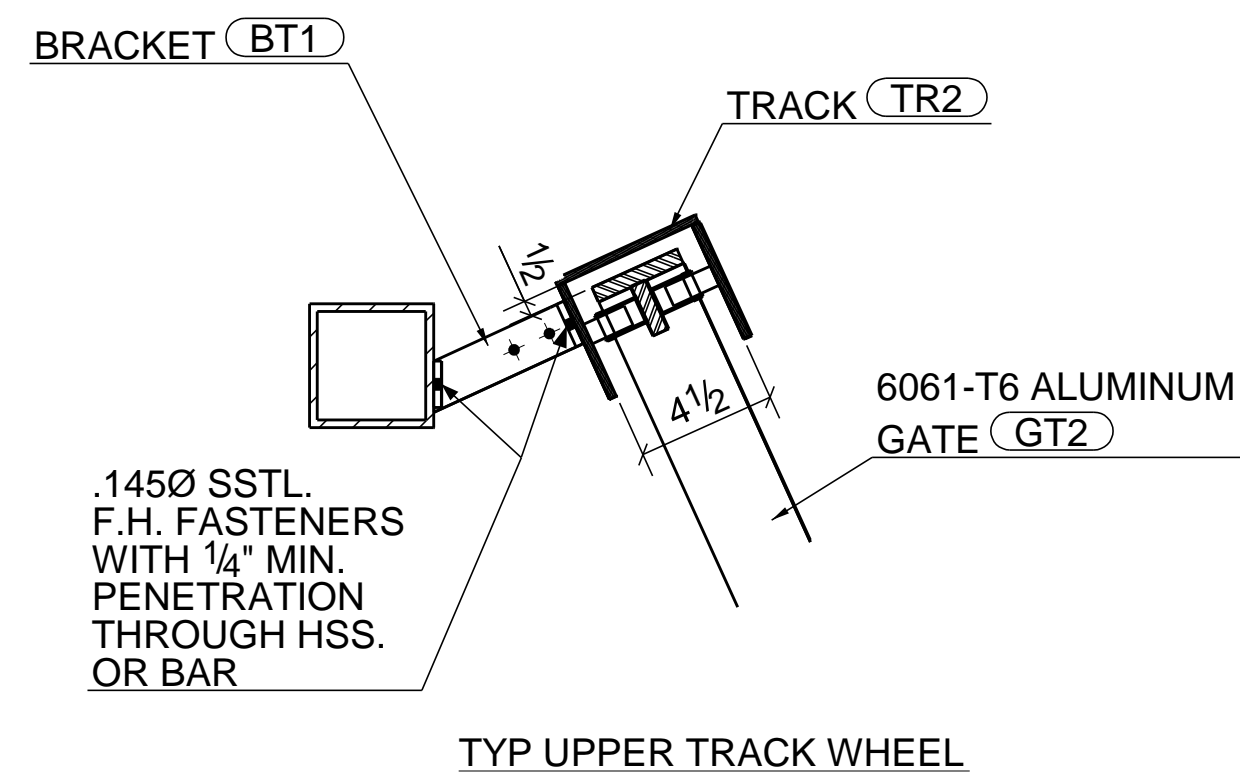
**SLIDING GATE - MOCK UP**  
UPPER PLAN



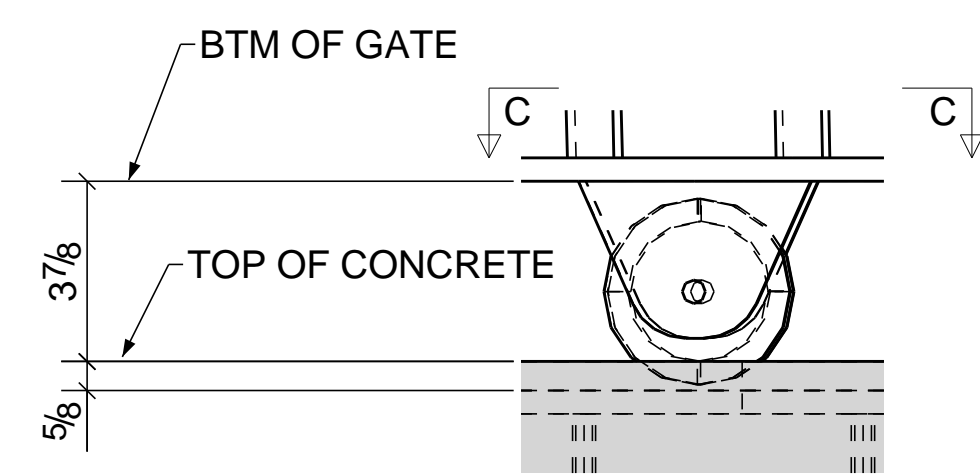
**3D VIEW**



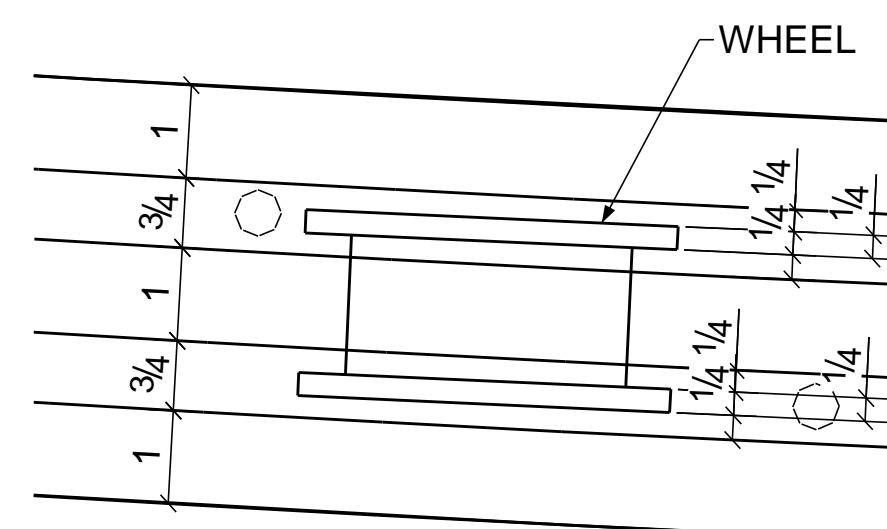
A - A



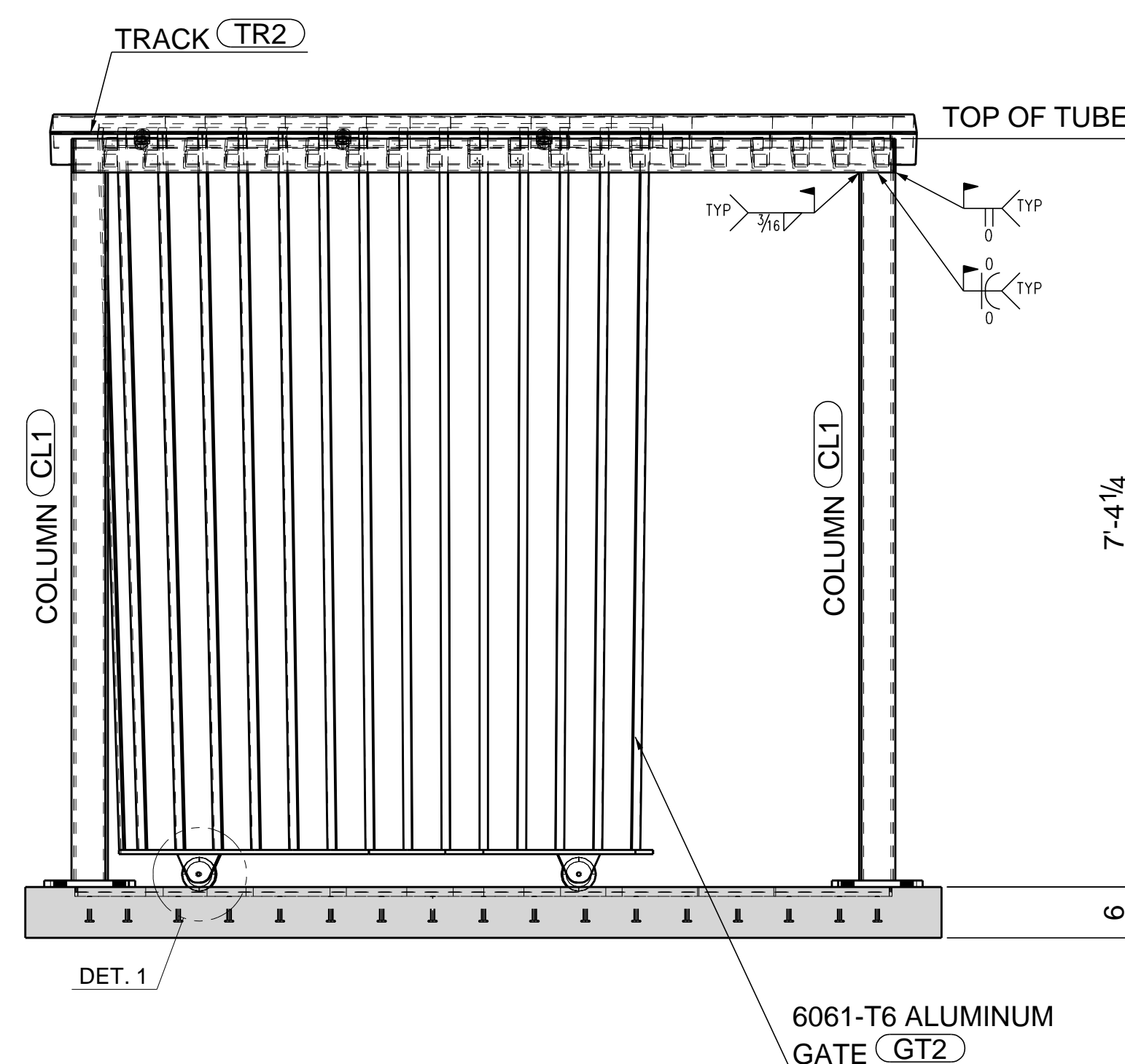
TYP UPPER TRACK WHEEL



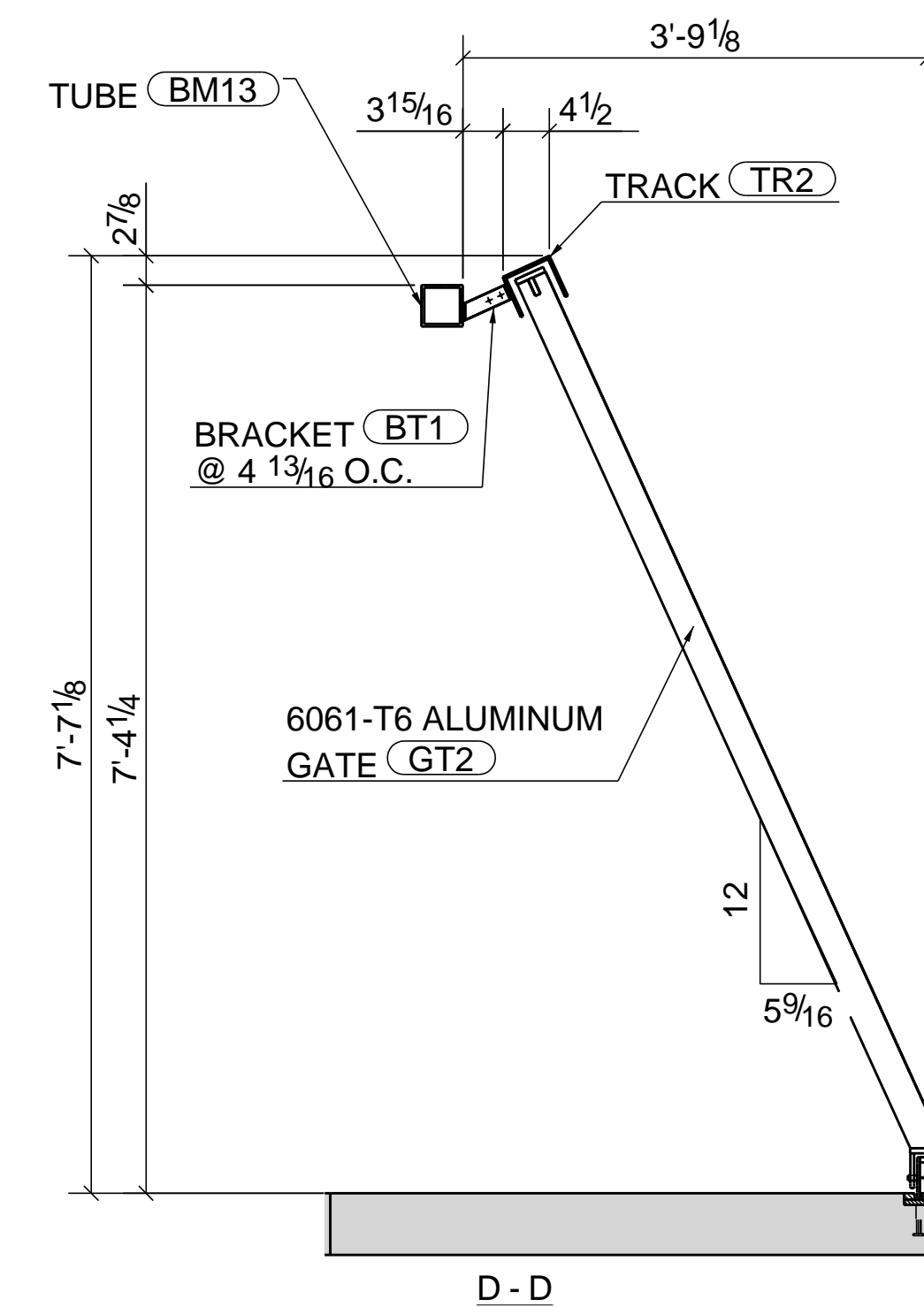
**DETAIL 1**



C - C



B - B



D - D

B	REVISED GATES TO ALUMINUM	05/30/2012
A	ISSUED FOR APPROVAL	05/24/2012
REV	DESCRIPTION	DATE
<p>APPROVAL/REVIEW AUTHORITY: PLEASE REVIEW THIS DRAWING CAREFULLY. THE SEAL OF A REGISTERED STRUCTURAL ENGINEER.</p> <p>ALL SHOP AND ERECTION DRAWINGS DO NOT CARRY THE SEAL OF A REGISTERED STRUCTURAL ENGINEER OF THE BUREAU OF THE CONTRACT DOCUMENTS. PARAGON STEEL ASSUMES NO RESPONSIBILITY FOR THE ACCURACY OF THE CONTRACT DOCUMENTS.</p> <p>UNLESS NOTED TO THE CONTRARY OF THIS DRAWING, WHEN IT RETURNED FROM APPROVAL, IT WILL BE ASSUMED THAT ALL INFORMATION SHOWN HEREIN HAS THE AFFIRMATION OF THE APPROVAL AUTHORITY.</p> <p>SUBSEQUENT CHANGES TO INFORMATION SHOWN ON THIS DRAWING AFTER APPROVAL HAS BEEN RECEIVED WILL BE CONSIDERED AS CONTRACT CHANGES.</p>		
<p>CONTRACTOR <b>W.E. O'NEIL</b></p>		<p>PROJECT: SANTA MONICA PALISADES GARDEN WALK</p> <p>DESCRIPTION: SLIDING GATE - MOCK UP</p>
DATE: 05/24/2012	DWN BY: SMITH	CHK'D BY: SMITH
DRAWING NO. 94658 - E-1		REV. B

**PARAGON STEEL**

3780 KILROY AIRPORT WAY, STE. 850  
LONG BEACH, CA 90806  
562-216-4000 (PHONE)  
562-216-4001 (FAX)